

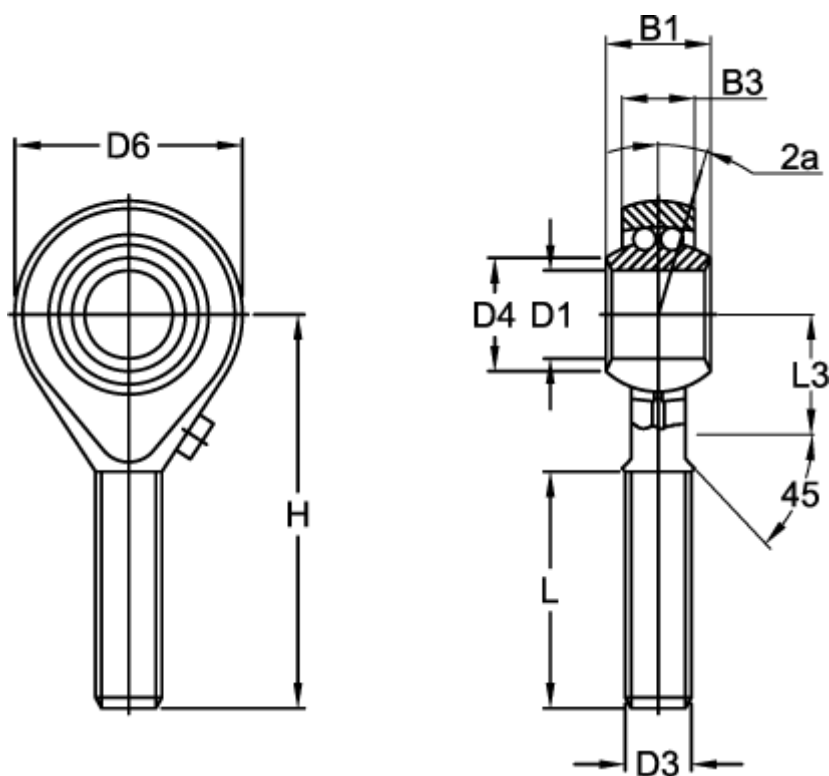
Data Sheet



Article number: 03704014

Description: Fluro rod end BRM 14
with ball bearing

Measures



Angel 2a	= 6.0	H	= 60
B1	= 19	L	= 36
B3	= 13.50	L3	= 20
D1	= 14	Max rpm	= 1025
D3	= M14x2	Static load (N)	= 2000
D4	= 17.0	Weight (kg)	= 0.135
D6	= 36		
Dynamic load C (N)	= 5600.0		